



SKF Motor Encoder Unit

Suited for most AC induction motors, the SKF Motor Encoder Unit is available in a range of sizes for shaft diameters from 15 to 45 mm, with a free cable end or connector that best fits your application.

The SKF solution

Encoders are required where the speed and/or direction of rotation of AC induction motors is to be continuously monitored. Conventional encoders are typically mounted external to the motor, exposed to the environmental conditions, which often has a significant impact on encoder service life.

The SKF Motor Encoder Unit, however, combines encoder and bearing functions. These units, which can be installed at either bearing position in an AC induction motor, are only 6,2 mm wider than the corresponding standard deep groove ball bearing. A SKF Motor Encoder Unit produces 2 signals, at 90 degree phase shift each with resolution ranging from 32 to 80 digital pulses per revolution, depending on the unit size.

Designs and variants

The SKF Motor Encoder Unit is a compact, integrated unit consisting of:

- A pre-lubricated SKF Explorer deep groove ball bearing in the 62 series with a snap ring groove in the outer ring and an RS1 contact seal
- An impulse ring
- A sensor body
- A cable outlet and connecting cable

The impulse ring, which attaches to the inner ring of the bearing, is a composite magnetized ring that contains between 32 and 80 north and south poles. The sensor body, which is attached to the outer ring, protects the patented SKF Hall effect cells. The multiwire connecting cable extends in the radial direction.

The bearing is protected by a contact seal on one side. On the opposite side of the bearing, the impulse ring and sensor body create an effective labyrinth seal to keep lubricant in and solid contaminants out of the bearing.

Features

- Bearing and sensors integrated into a single unit
- Enables monitoring of speed and direction of the shaft
- Accurately detects speeds from 0 to 13 000 r/min depending on limiting speed of bearing
- Wide range of cable length and connectors available

Benefits

- Compact and ready-to-mount
- Reduced number of components
- Designed to be robust and reliable



High-performance filtering

All standard SKF Motor Encoder Units are protected with high-performance filtering, so they can adapt to the electric environment typically found in industrial and automotive applications.

Sensor technology

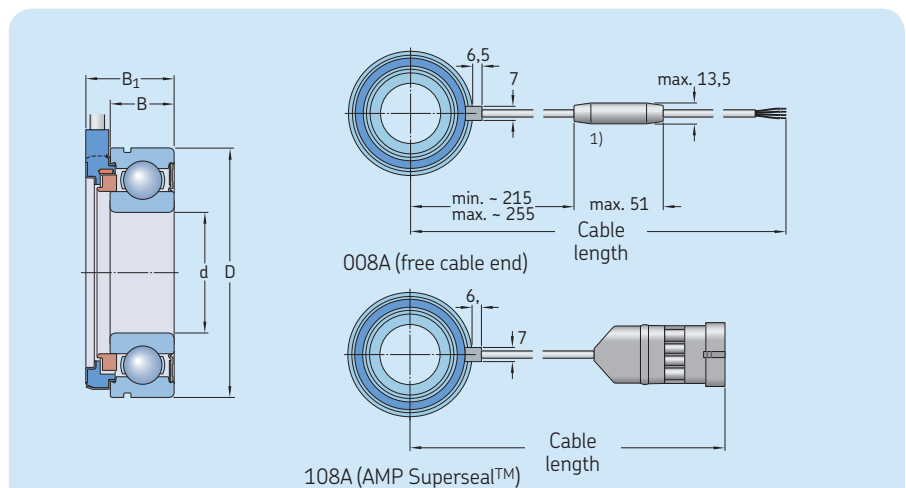
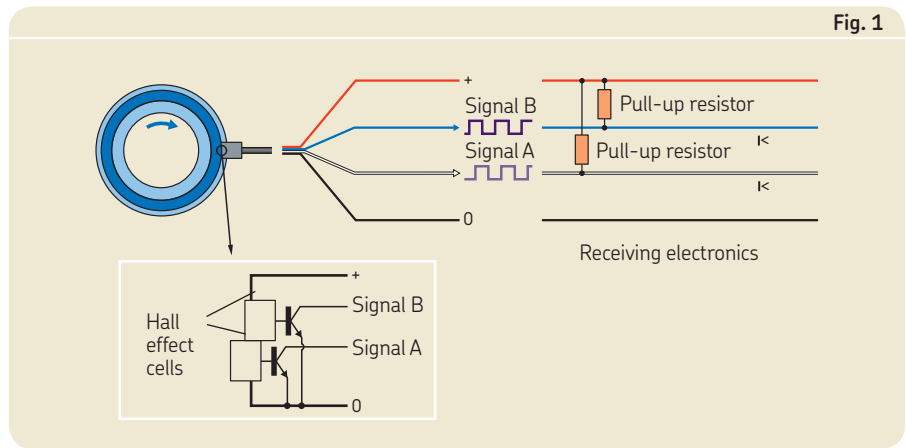
The SKF Motor Encoder Unit uses compact and robust sensors that produce an incremental encoder signal. The sensors are accurate down to zero r/min. An integrated active circuit (requiring an external voltage supply) in the sensor body contains two Hall effect cells that produce an output signal consisting of two square waves.

Requirements for the receiving interface

The receiving interface must be able to process the signals, which are provided via open collector circuits. A typical schematic drawing is shown in **fig. 1**.

Resistors

Pull-up resistors should be placed between the voltage supply and the conductors for the output signals to limit the output current to 20 mA. Recommended pull-up resistors for typical voltage supply values are listed in **table 1**.



Bearing Principal dimensions	Basic load ratings				Fatigue load limit P_u	Limiting speed	Sensor unit			Cable length $\pm 10^{(2)}$	Mass	Designation
	dynamic	static					No. of pulses	Period accur- acy	Phase shift			
d D B B ₁ C C ₀	kN				kN	r/min	-	%	°	mm	kg	-
15 35 11 17,2 7,8	3,75	0,16	13 000	32	± 3	90 ± 30	525	0,07	BMB-6202/032S2/UB008A			
35 11 17,2 7,8	3,75	0,16	13 000	32	± 3	90 ± 30	550	0,08	BMB-6202/032S2/UB108A			
20 47 14 20,2 12,7	6,55	0,28	10 000	48	± 4	90 ± 20	535	0,13	BMO-6204/048S2/UA008A			
47 14 20,2 12,7	6,55	0,28	10 000	48	± 4	90 ± 20	560	0,15	BMO-6204/048S2/UA108A			
25 52 15 21,2 14	7,8	0,335	8 500	48	± 3	90 ± 30	535	0,16	BMO-6205/048S2/UA008A			
52 15 21,2 14	7,8	0,335	8 500	48	± 3	90 ± 30	560	0,17	BMO-6205/048S2/UA108A			
30 62 16 22,2 19,5	11,2	0,475	7 500	64	± 4	90 ± 20	540	0,24	BMD-6206/064S2/UA008A ³⁾			
62 16 22,2 19,5	11,2	0,475	7 500	64	± 4	90 ± 20	565	0,25	BMD-6206/064S2/UA108A			
40 80 18 24,2 30,7	19	0,8	5 600	80	± 5	90 ± 30	546	0,46	BMB-6208/080S2/UB008A			
80 18 24,2 30,7	19	0,8	5 600	80	± 5	90 ± 30	570	0,46	BMB-6208/080S2/UB108A			
45 85 19 25,2 33,2	21,6	0,915	5 000	80	± 5	90 ± 30	545	0,53	BMB-6209/080S2/UB008A			
85 19 25,2 33,2	21,6	0,915	5 000	80	± 5	90 ± 30	570	0,54	BMB-6209/080S2/UB108A			

¹⁾ The indicated values in this illustration are not valid for the new BMD as this product is only available without a dongle

²⁾ Other cable lengths and connectors available on request

³⁾ This product is delivered without a dongle on the cable

Table 1

Recommended pull-up resistors

Voltage supply	Resistance min.	Power
V DC	Ω	W
5	270	0,25
9	470	0,25
12	680	0,25
18	1 000	0,25

© SKF is a registered trademark of the SKF Group.

™ AMP Superseal 1.6 Series is a trademark of the TE connectivity family of companies

© SKF Group 2014

The contents of this publication are the copyright of the publisher and may not be reproduced (even extracts) unless prior written permission is granted. Every care has been taken to ensure the accuracy of the information contained in this publication but no liability can be accepted for any loss or damage whether direct, indirect or consequential arising out of the use of the information contained herein.

PUB BU/P8 15276/1 EN · Sept 2016

This publication supersedes publication 6287 EN.



www.skf.com/sensorbearings

